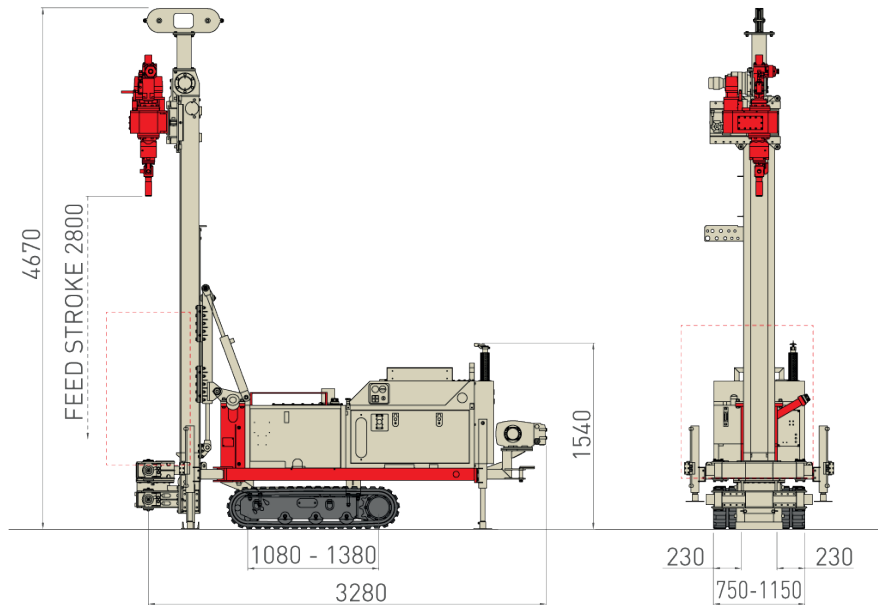




GEO 205



	m.s.	i.s.		
Potenza Motore Engine Power	kW	HP	33	44
Livello Emissioni Emission Level	- Step 3A / Tier 4i			
Corsa Mast Mast Feed Stroke	mm	ft	1.030 - 2.800	3.4 - 9.2
Forza di Spinta Feed Force	daN	lbs	2.500	5,620
Forza di Tiro Retract Force	daN	lbs	2.500	5,620
Coppia Rotary Rotary Torque Range	daNm	lb*ft	200 - 480	1,475 - 3,540
Giri Rotary Rotary Speed Range	rpm		80 - 580	
Serraggio Morse Clamp Range	mm	in	45 - 220	1.8 - 8.6
Peso Perforatrice Rig Weight	kg	lbs	2.400 - 2.800	5,300 - 6,200



This is a simplified data sheet that does not show all possible rig configurations. For further information [click here](#).

Specifications shown are only indicative and subjected to change without prior notice