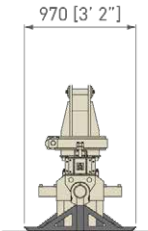
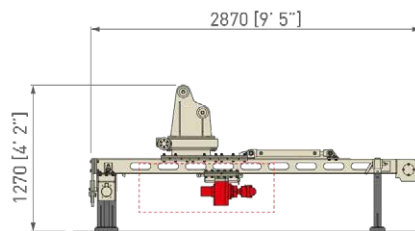
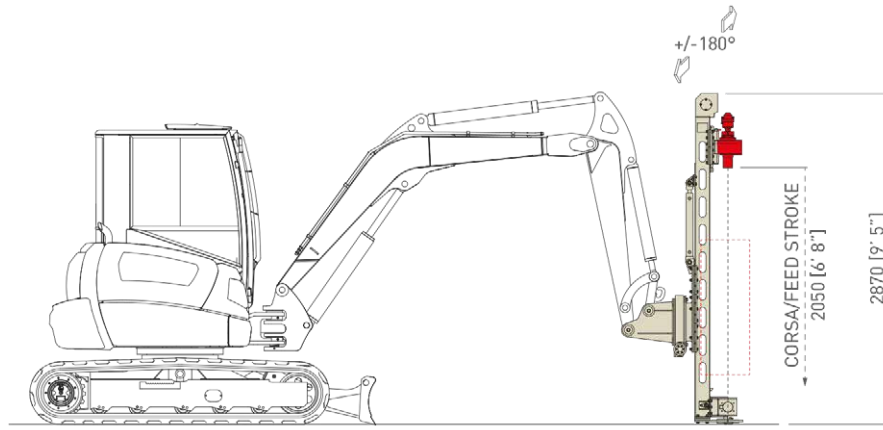




# MC-E 6



Rotazione  
Rotary Drilling



Rotopercussione  
Rotary - Percussive

m.s. i.s.

Classe Escavatore Excavator Class	ton		5	
Corsa Mast Mast Feed Stroke	mm	ft	2.050	6' 8"
Forza di Spinta Feed Force	daN	lbs	1.200	2,697
Forza di Tiro Retract Force	daN	lbs	1.200	2,697
Coppia Rotary Rotary Torque Range	daNm	lb*ft	230 - 360	1,696 - 2,655
Giri Rotary Rotary Speed Range		rpm	100 - 160	
Serraggio Morse Clamp Range	mm	in	45 - 185	1" 3/4 - 7" 5/16
Peso Weight	kg	lbs	500 - 700	1,100 - 1,500

