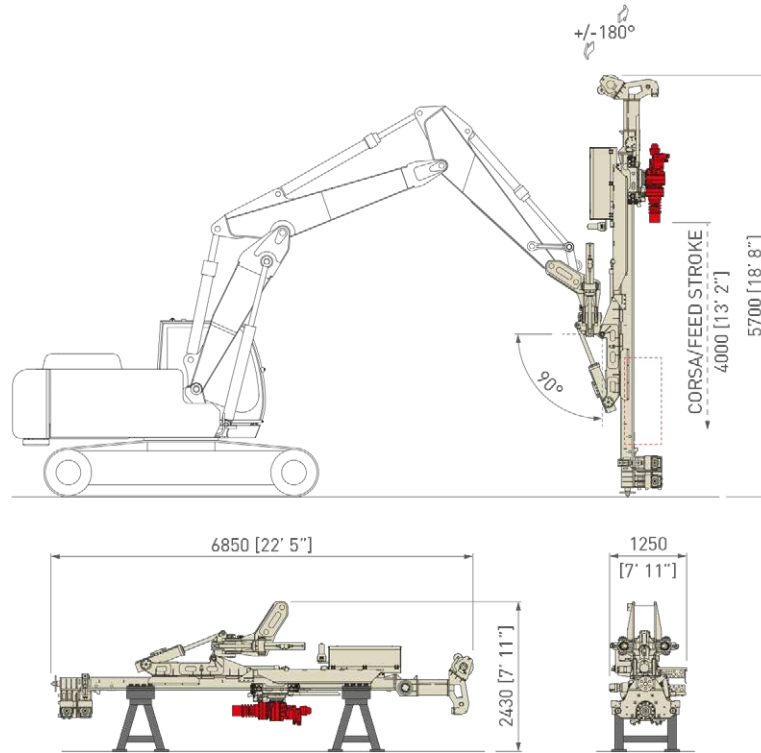




# MC-E 45



Rotazione  
Rotary Drilling



Rotopercussione  
Rotary - Percussive

m.s. i.s.

Classe Escavatore Excavator Class	ton		25 - 30	
Corsa Mast Mast Feed Stroke	mm	ft	4.000	13' 1"
Forza di Spinta Feed Force	daN	lbs	5.500	12,364
Forza di Tiro Retract Force	daN	lbs	5.500	12,364
Coppia Rotary Rotary Torque Range	daNm	lb*ft	88 - 1.550	649 - 11,430
Giri Rotary Rotary Speed Range	rpm		43 - 400	
Serraggio Morse Clamp Range	mm	in	45 - 365	1" 3/4 - 14" 3/8
Peso Weight	kg	lbs	4.300 - 4.500	9,500 - 9,900

